

RF Cable Datasheet

Product OC: YSAN028XX

Version: 2.1

Date: 2023-12-02

Status: Released

Product Name: RF Cable

Key Features:

Frequency Band: DC–6000 MHz

Cable Length: 100 mm (AA), 150 mm (BA), 200 mm (CA), 250 mm (DA),
300 mm (EA), 100 mm (FA), 150 mm (GA), 200 mm (HA), 250 mm (IA),
300 mm (JA)

Connector Type: RP SMA Female to IPEX 4L

RoHS Compliant

Overview

To meet the requirements of devices for RF connection among antennas, modules, and motherboards, as well as long-distance wiring, Quectel provides customers with a wide range of RF cable products. These cables use high-quality materials and connectors to reduce the loss to the greatest extent, ensuring overall RF performance. Quectel also provides customized services according to customers' particular requirements for cable material, cable length, and connector type.

Contents

Overview	1
Contents	2
1 Specification	3
1.1. Electrical.....	3
1.2. Mechanical & Environmental	6
2 Drawing	8
3 Detailed Performance	9
3.1. Cable Loss	9
3.2. VSWR.....	12
3.2.1. VSWR-S11	12
3.2.2. VSWR-S22	15
3.3. Return Loss.....	18
3.3.1. Return Loss-S11.....	18
3.3.2. Return Loss-S22	21
4 Packaging	24
Contact Us	26
Legal Notices	27
Revision History	29

1 Specification

1.1. Electrical

Electrical		
Frequency Range		DC–6000 MHz
Impedance		50 Ω
VSWR	YSAN028AA	≤ 1.79
	YSAN028BA	≤ 2.17
	YSAN028CA	≤ 1.72
	YSAN028DA	≤ 1.93
	YSAN028EA	≤ 1.93
	YSAN028FA	≤ 1.79
	YSAN028GA	≤ 2.17
	YSAN028HA	≤ 1.72
	YSAN028IA	≤ 1.93
	YSAN028JA	≤ 1.93
Return Loss	YSAN028AA	≤ -10.95 dB
	YSAN028BA	≤ -8.66 dB
	YSAN028CA	≤ -11.52 dB
	YSAN028DA	≤ -9.97 dB
	YSAN028EA	≤ -9.99 dB
	YSAN028FA	≤ -10.95 dB
	YSAN028GA	≤ -8.66 dB

	YSAN028HA	≤ -11.52 dB
	YSAN028IA	≤ -9.97 dB
	YSAN028JA	≤ -9.99 dB
Max Cable Loss	YSAN028AA	-1.48 dB
	YSAN028BA	-1.68 dB
	YSAN028CA	-2.08 dB
	YSAN028DA	-2.57dB
	YSAN028EA	-2.88 dB
	YSAN028FA	-1.48 dB
	YSAN028GA	-1.68 dB
	YSAN028HA	-2.08 dB
	YSAN028IA	-2.57dB
	YSAN028JA	-2.88 dB
Screening Effectiveness		0.5–1 GHz: ≥ -50 dB 1–3 GHz: ≥ -60 dB 3–6 GHz: ≥ -65 dB

Electrical - Detail														
SPEC	Band	B87	B31	B71	B12	B5	N74	B1	B40	Wi-Fi	B38	B42	N79	Wi-Fi
		/B88	/B72 /B73		/B13 /B28	/B8 /B26	/N75 /N76	/B2 /B3		2G	/B41	/B48 /N77		5G
		410- 430	450- 470	600- 700	700- 810	820- 960	1420- 1520	1700- 2170	2300- 2400	2400- 2500	2500- 2690	3300- 4200	4400- 5000	5150- 5850
Max S11 VSWR	YSAN028AA	1.10	1.10	1.10	1.08	1.05	1.21	1.18	1.30	1.32	1.32	1.45	1.60	1.60
	YSAN028BA	1.08	1.07	1.06	1.12	1.16	1.19	1.23	1.30	1.30	1.26	1.57	1.72	1.74
	YSAN028CA	1.03	1.02	1.12	1.13	1.12	1.10	1.26	1.32	1.25	1.27	1.45	1.54	1.59
	YSAN028DA	1.06	1.08	1.11	1.07	1.16	1.19	1.22	1.22	1.09	1.28	1.49	1.64	1.66
	YSAN028EA	1.09	1.10	1.05	1.13	1.13	1.20	1.23	1.18	1.22	1.29	1.45	1.58	1.59
	YSAN028FA	1.10	1.10	1.10	1.08	1.05	1.21	1.18	1.30	1.32	1.32	1.45	1.60	1.60
	YSAN028GA	1.08	1.07	1.06	1.12	1.16	1.19	1.23	1.30	1.30	1.26	1.57	1.72	1.74

	YSAN028HA	1.03	1.02	1.12	1.13	1.12	1.10	1.26	1.32	1.25	1.27	1.45	1.54	1.59
	YSAN028IA	1.06	1.08	1.11	1.07	1.16	1.19	1.22	1.22	1.09	1.28	1.49	1.64	1.66
	YSAN028JA	1.09	1.10	1.05	1.13	1.13	1.20	1.23	1.18	1.22	1.29	1.45	1.58	1.59
Max S22 VSWR	YSAN028FA	1.07	1.07	1.09	1.09	1.08	1.23	1.19	1.30	1.31	1.31	1.38	1.56	1.79
	YSAN028GA	1.07	1.07	1.06	1.10	1.16	1.20	1.27	1.30	1.30	1.24	1.42	1.65	2.17
	YSAN028HA	1.04	1.04	1.11	1.12	1.12	1.15	1.28	1.33	1.28	1.27	1.44	1.61	1.72
	YSAN028IA	1.05	1.07	1.10	1.09	1.14	1.20	1.24	1.22	1.11	1.26	1.41	1.66	1.93
	YSAN028JA	1.07	1.07	1.07	1.11	1.13	1.22	1.25	1.19	1.22	1.28	1.39	1.68	1.93
Max S11 Return Loss (dB)	YSAN028AA	-26.16	-26.26	-26.84	-28.58	-32.72	-20.37	-21.87	-17.63	-17.21	-17.19	-14.66	-12.73	-12.71
	YSAN028BA	-28.41	-29.62	-30.19	-24.81	-22.48	-21.16	-19.59	-17.71	-17.71	-18.89	-13.11	-11.53	-11.37
	YSAN028CA	-35.40	-38.69	-24.69	-24.38	-25.25	-26.18	-18.73	-17.17	-19.02	-18.47	-14.64	-13.39	-12.85
	YSAN028DA	-31.30	-28.35	-25.40	-29.83	-22.86	-21.37	-19.91	-20.03	-27.01	-18.22	-14.17	-12.28	-12.11
	YSAN028EA	-27.42	-26.56	-31.71	-24.36	-24.28	-20.69	-19.77	-21.72	-20.00	-18.08	-14.69	-12.94	-12.85
	YSAN028FA	-26.16	-26.26	-26.84	-28.58	-32.72	-20.37	-21.87	-17.63	-17.21	-17.19	-14.66	-12.73	-12.71
	YSAN028GA	-28.41	-29.62	-30.19	-24.81	-22.48	-21.16	-19.59	-17.71	-17.71	-18.89	-13.11	-11.53	-11.37
	YSAN028HA	-35.40	-38.69	-24.69	-24.38	-25.25	-26.18	-18.73	-17.17	-19.02	-18.47	-14.64	-13.39	-12.85
	YSAN028IA	-31.30	-28.35	-25.40	-29.83	-22.86	-21.37	-19.91	-20.03	-27.01	-18.22	-14.17	-12.28	-12.11
	YSAN028JA	-27.42	-26.56	-31.71	-24.36	-24.28	-20.69	-19.77	-21.72	-20.00	-18.08	-14.69	-12.94	-12.85
Max S22 Return Loss (dB)	YSAN028AA	-29.59	-28.89	-27.20	-27.44	-28.24	-19.79	-21.17	-17.80	-17.50	-17.54	-15.95	-13.25	-10.95
	YSAN028BA	-29.81	-29.39	-30.07	-26.36	-22.47	-20.91	-18.46	-17.61	-17.67	-19.47	-15.18	-12.17	-8.66
	YSAN028CA	-33.81	-33.37	-25.99	-24.75	-24.67	-23.26	-18.29	-16.96	-18.24	-18.54	-14.80	-12.59	-11.52
	YSAN028DA	-31.54	-29.83	-26.68	-27.64	-23.67	-20.84	-19.46	-19.94	-25.90	-18.93	-15.33	-12.08	-9.97
	YSAN028EA	-30.02	-28.86	-29.40	-25.80	-24.58	-20.13	-19.20	-21.18	-20.13	-18.26	-15.77	-11.95	-9.99
	YSAN028FA	-29.59	-28.89	-27.20	-27.44	-28.24	-19.79	-21.17	-17.80	-17.50	-17.54	-15.95	-13.25	-10.95
	YSAN028GA	-29.81	-29.39	-30.07	-26.36	-22.47	-20.91	-18.46	-17.61	-17.67	-19.47	-15.18	-12.17	-8.66
	YSAN028HA	-33.81	-33.37	-25.99	-24.75	-24.67	-23.26	-18.29	-16.96	-18.24	-18.54	-14.80	-12.59	-11.52

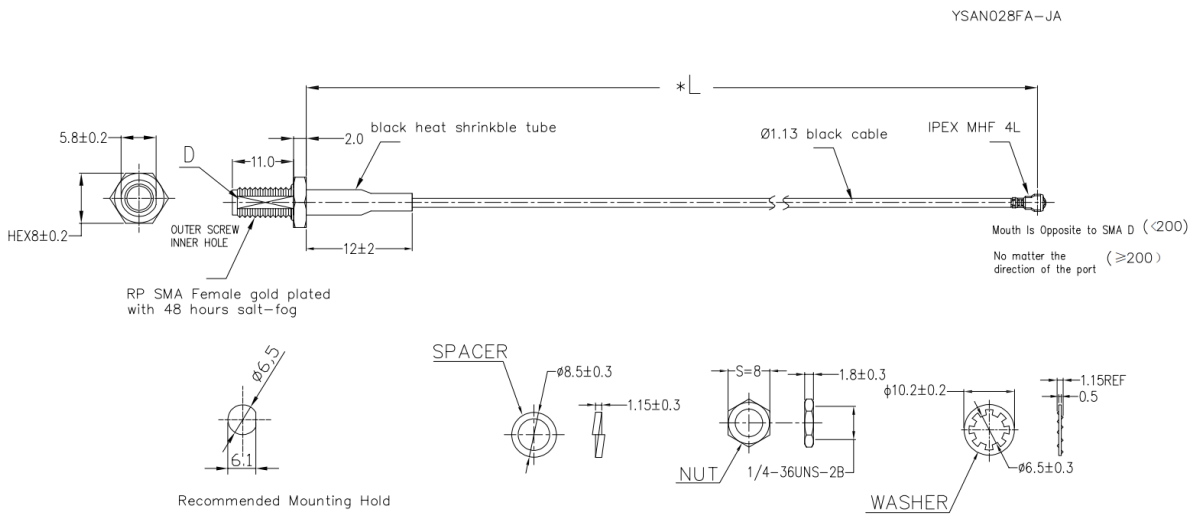
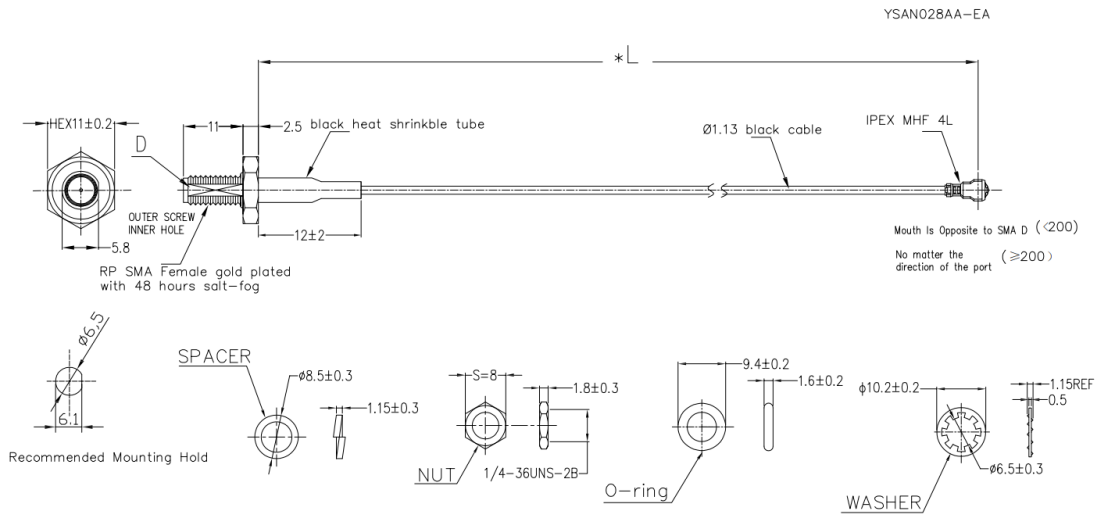
	YSAN028IA	-31.54	-29.83	-26.68	-27.64	-23.67	-20.84	-19.46	-19.94	-25.90	-18.93	-15.33	-12.08	-9.97
	YSAN028JA	-30.02	-28.86	-29.40	-25.80	-24.58	-20.13	-19.20	-21.18	-20.13	-18.26	-15.77	-11.95	-9.99
Max Cable Loss S21 (dB)	YSAN028AA	-0.19	-0.21	-0.26	-0.28	-0.31	-0.47	-0.54	-0.60	-0.65	-0.62	-0.98	-1.38	-1.48
	YSAN028BA	-0.30	-0.32	-0.41	-0.44	-0.48	-0.62	-0.83	-0.90	-0.85	-0.95	-1.45	-1.65	-1.68
	YSAN028CA	-0.27	-0.29	-0.36	-0.39	-0.44	-0.58	-0.72	-0.81	-0.83	-0.77	-1.56	-1.82	-2.08
	YSAN028DA	-0.36	-0.38	-0.48	-0.52	-0.58	-0.79	-0.97	-1.01	-1.02	-1.13	-1.81	-2.25	-2.57
	YSAN028EA	-0.43	-0.45	-0.57	-0.62	-0.68	-0.95	-1.14	-1.15	-1.26	-1.28	-2.04	-2.35	-2.88
	YSAN028FA	-0.19	-0.21	-0.26	-0.28	-0.31	-0.47	-0.54	-0.60	-0.65	-0.62	-0.98	-1.38	-1.48
	YSAN028GA	-0.30	-0.32	-0.41	-0.44	-0.48	-0.62	-0.83	-0.90	-0.85	-0.95	-1.45	-1.65	-1.68
	YSAN028HA	-0.27	-0.29	-0.36	-0.39	-0.44	-0.58	-0.72	-0.81	-0.83	-0.77	-1.56	-1.82	-2.08
	YSAN028IA	-0.36	-0.38	-0.48	-0.52	-0.58	-0.79	-0.97	-1.01	-1.02	-1.13	-1.81	-2.25	-2.57
	YSAN028JA	-0.43	-0.45	-0.57	-0.62	-0.68	-0.95	-1.14	-1.15	-1.26	-1.28	-2.04	-2.35	-2.88

1.2. Mechanical & Environmental

Mechanical		
OC	* Length (mm)	Weight (g)
YSAN028AA	100 ±3	4.35
YSAN028BA	150 ±5	4.51
YSAN028CA	200 ±5	4.66
YSAN028DA	250 ±5	4.83
YSAN028EA	300 ±5	4.98
YSAN028FA	100 ±3	3.55
YSAN028GA	150 ±5	3.74
YSAN028HA	200 ±5	3.86
YSAN028IA	250 ±5	4.02

YSAN028JA	300 ±5	4.21
Cable Type & Color		Φ1.13 & Black
Item	Material	Diameter (mm)
Inner Conductor	Silver plated copper wire	0.24
Insulator	FEP	0.7
Outer Conductor	Tinned copper wire	0.92
Jacket	FEP	1.13
Connector Type		RP SMA Female to IPEX 4L
Environmental		
Operation Temperature		-40 °C to +80 °C
Storage Temperature		-40 °C to +80 °C
RoHS Compliant		Yes

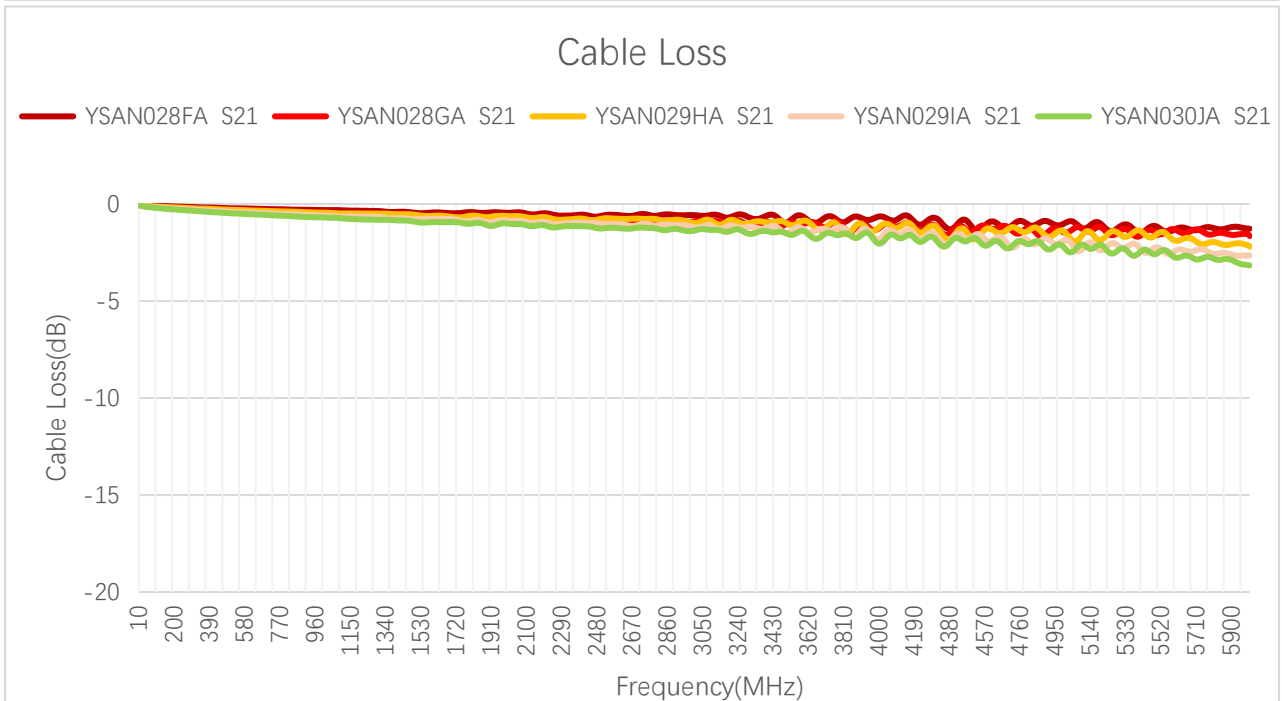
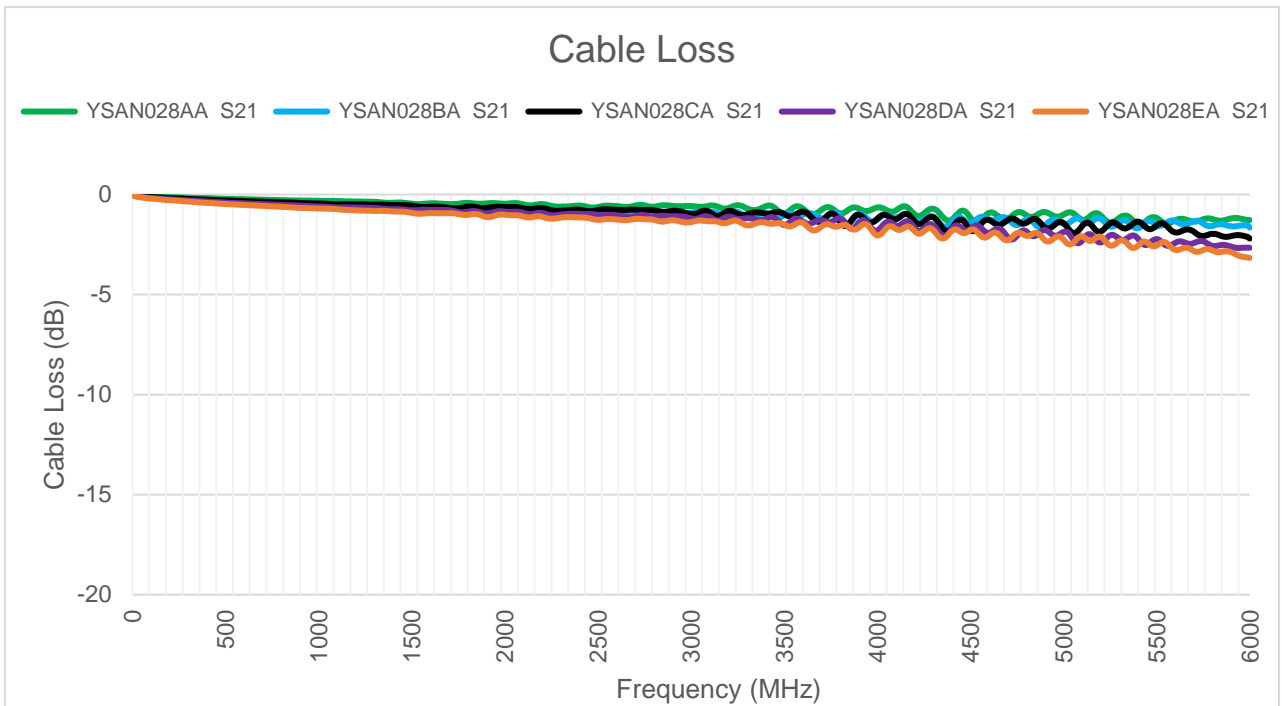
2 Drawing



RP-SMA CONNECTOR
(Inner MALE PIN)

3 Detailed Performance

3.1. Cable Loss



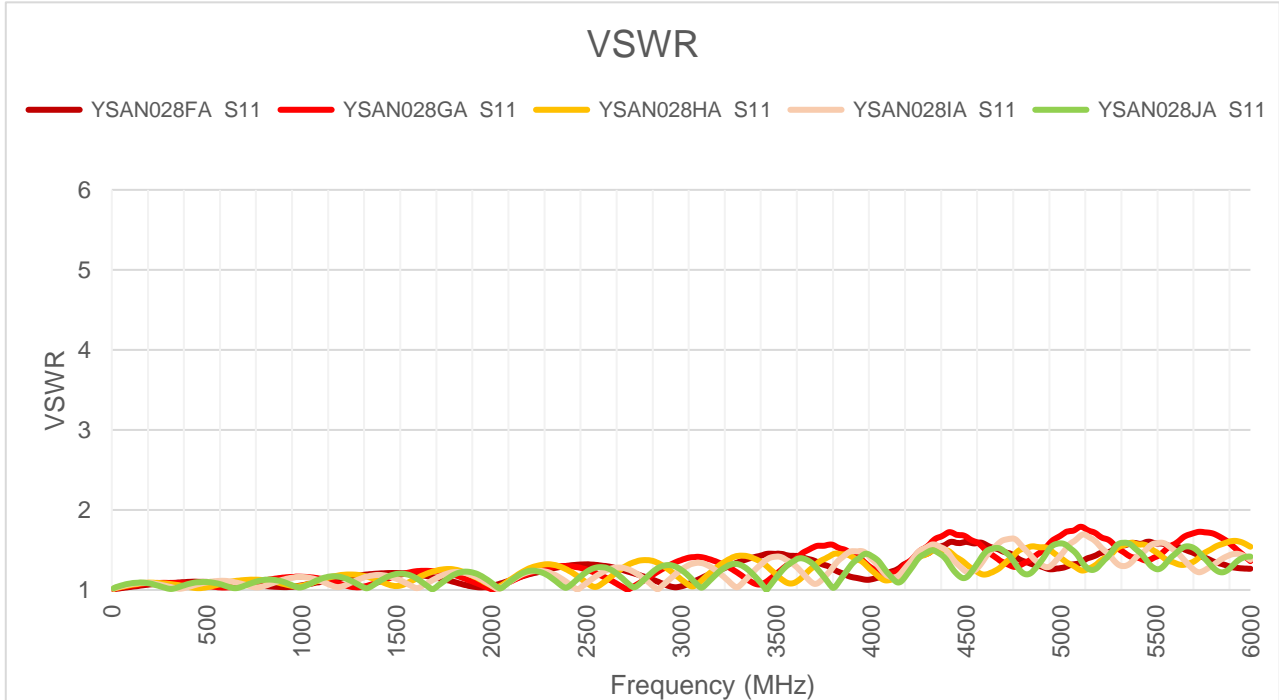
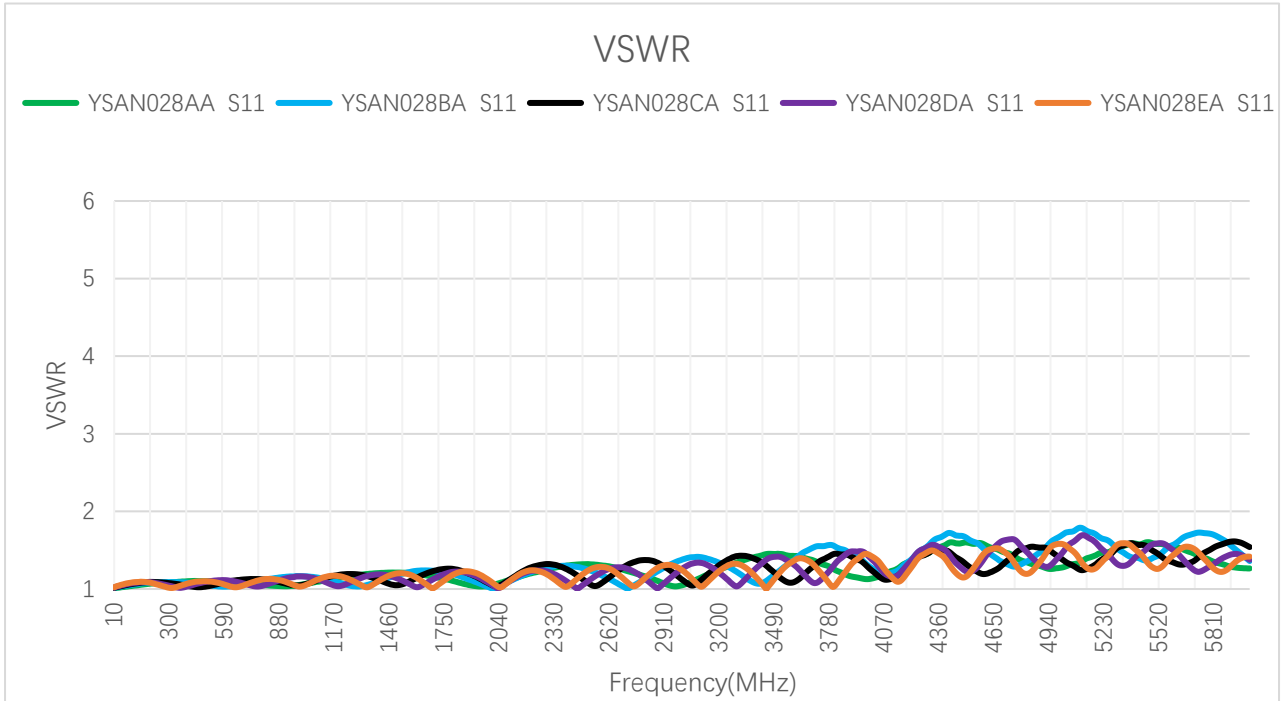
Cable Loss (dB)

Frequency (MHz)	100	300	410	420	460	470	600	630	710	830
YSAN028AA	-0.09	-0.16	-0.19	-0.19	-0.20	-0.21	-0.23	-0.24	-0.26	-0.29
YSAN028BA	-0.12	-0.22	-0.26	-0.27	-0.29	-0.28	-0.33	-0.34	-0.36	-0.39
YSAN028CA	-0.14	-0.25	-0.29	-0.30	-0.32	-0.32	-0.37	-0.38	-0.41	-0.45
YSAN028DA	-0.17	-0.30	-0.36	-0.36	-0.38	-0.38	-0.44	-0.45	-0.48	-0.53
YSAN028EA	-0.20	-0.35	-0.42	-0.43	-0.45	-0.45	-0.52	-0.54	-0.57	-0.63
YSAN028FA	-0.09	-0.16	-0.19	-0.19	-0.20	-0.21	-0.23	-0.24	-0.26	-0.29
YSAN028GA	-0.12	-0.22	-0.26	-0.27	-0.29	-0.28	-0.33	-0.34	-0.36	-0.39
YSAN028HA	-0.14	-0.25	-0.29	-0.30	-0.32	-0.32	-0.37	-0.38	-0.41	-0.45
YSAN028IA	-0.17	-0.30	-0.36	-0.36	-0.38	-0.38	-0.44	-0.45	-0.48	-0.53
YSAN028JA	-0.20	-0.35	-0.42	-0.43	-0.45	-0.45	-0.52	-0.54	-0.57	-0.63
Frequency (MHz)	900	960	1440	1710	1740	1880	1950	2140	2350	2450
YSAN028AA	-0.30	-0.31	-0.40	-0.48	-0.46	-0.46	-0.43	-0.54	-0.59	-0.63
YSAN028BA	-0.42	-0.44	-0.52	-0.68	-0.69	-0.68	-0.61	-0.72	-0.78	-0.83
YSAN028CA	-0.47	-0.48	-0.61	-0.72	-0.77	-0.79	-0.69	-0.83	-0.84	-0.85
YSAN028DA	-0.55	-0.58	-0.74	-0.80	-0.85	-0.92	-0.86	-0.97	-0.96	-0.98
YSAN028EA	-0.67	-0.68	-0.85	-0.93	-0.96	-1.07	-1.05	-1.14	-1.13	-1.18
YSAN028FA	-0.30	-0.31	-0.40	-0.48	-0.46	-0.46	-0.43	-0.54	-0.59	-0.63
YSAN028GA	-0.42	-0.44	-0.52	-0.68	-0.69	-0.68	-0.61	-0.72	-0.78	-0.83
YSAN028HA	-0.47	-0.48	-0.61	-0.72	-0.77	-0.79	-0.69	-0.83	-0.84	-0.85
YSAN028IA	-0.55	-0.58	-0.74	-0.80	-0.85	-0.92	-0.86	-0.97	-0.96	-0.98
YSAN028JA	-0.67	-0.68	-0.85	-0.93	-0.96	-1.07	-1.05	-1.14	-1.13	-1.18
Frequency (MHz)	2600	3600	4700	5000	5500	6000				
YSAN028AA	-0.58	-0.70	-1.21	-1.00	-1.17	-1.27				

YSAN028BA	-0.76	-0.85	-1.28	-1.42	-1.55	-1.65				
YSAN028CA	-0.83	-1.01	-1.21	-1.47	-1.61	-2.20				
YSAN028DA	-1.04	-1.35	-2.12	-1.87	-2.23	-2.66				
YSAN028EA	-1.25	-1.41	-2.29	-2.25	-2.55	-3.17				
YSAN028FA	-0.58	-0.70	-1.21	-1.00	-1.17	-1.27				
YSAN028GA	-0.76	-0.85	-1.28	-1.42	-1.55	-1.65				
YSAN028HA	-0.83	-1.01	-1.21	-1.47	-1.61	-2.20				
YSAN028IA	-1.04	-1.35	-2.12	-1.87	-2.23	-2.66				
YSAN028JA	-1.25	-1.41	-2.29	-2.25	-2.55	-3.17				

3.2. VSWR

3.2.1. VSWR-S11

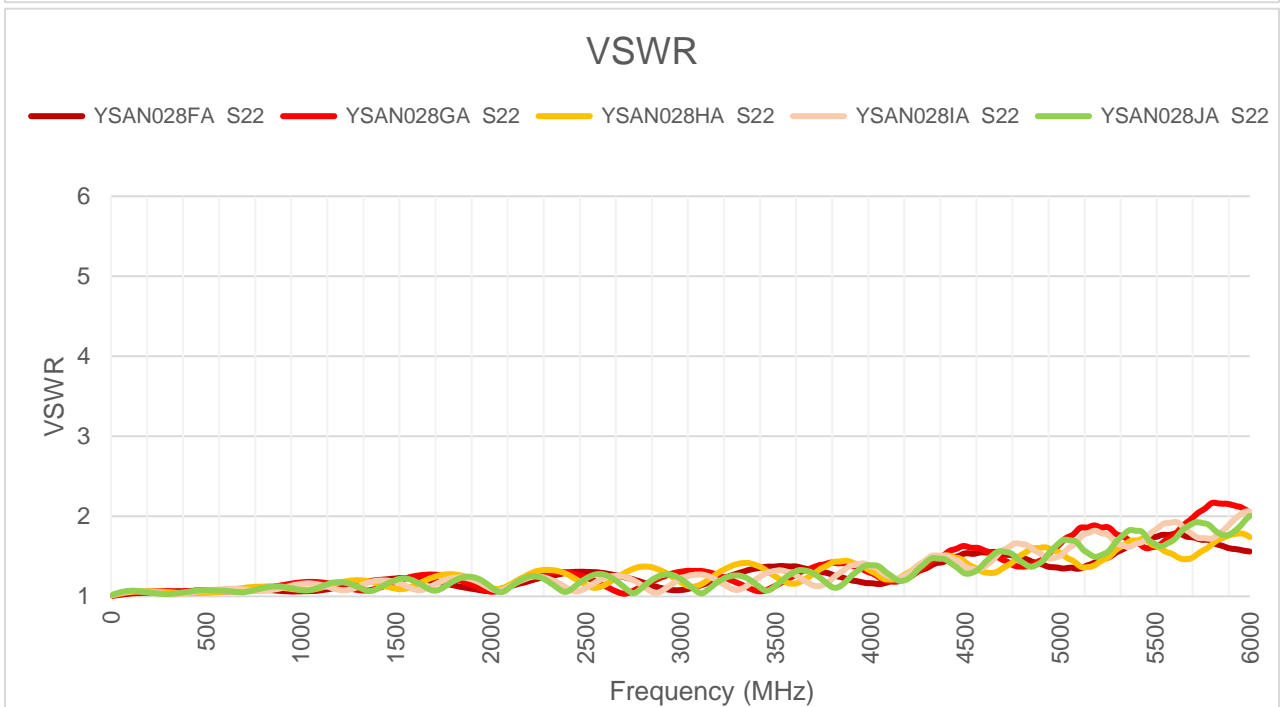
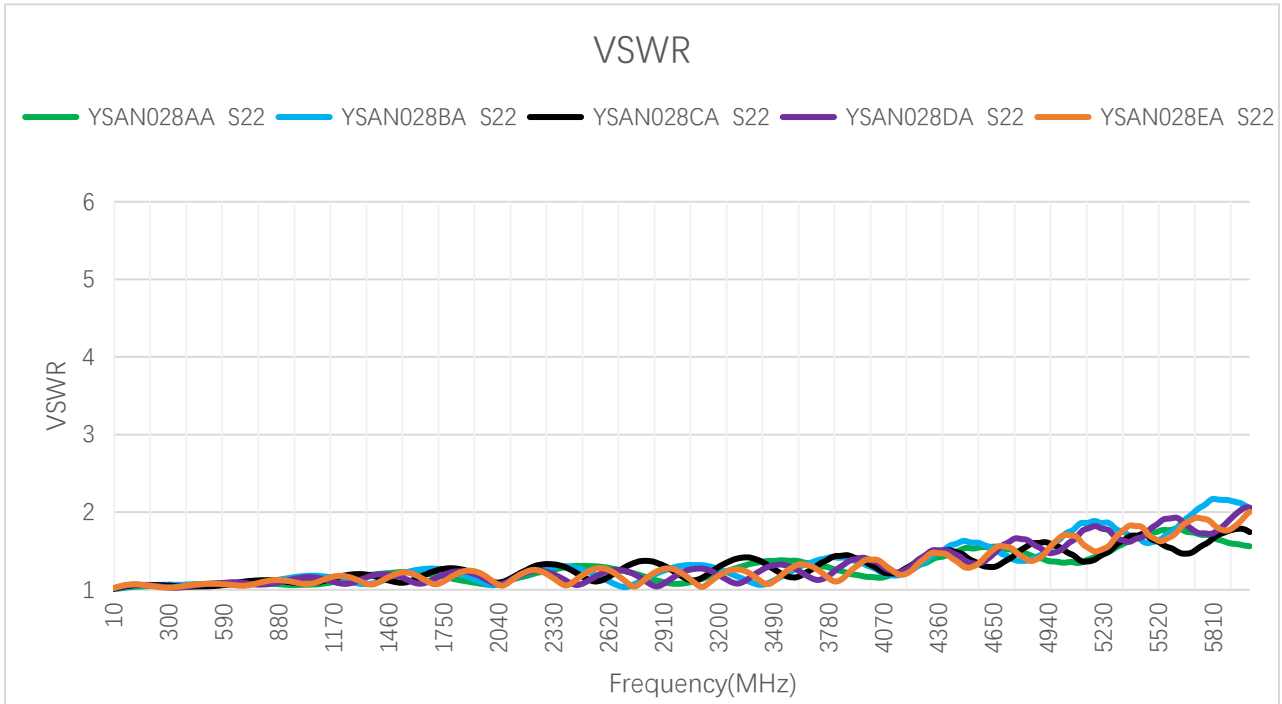


VSWR-S11

Frequency (MHz)	100	300	410	420	460	470	600	630	710	830
YSAN028AA	1.04	1.08	1.10	1.10	1.10	1.10	1.10	1.09	1.07	1.04
YSAN028BA	1.05	1.09	1.08	1.08	1.06	1.06	1.03	1.04	1.07	1.13
YSAN028CA	1.06	1.08	1.03	1.03	1.02	1.02	1.09	1.10	1.13	1.11
YSAN028DA	1.07	1.04	1.04	1.05	1.07	1.08	1.11	1.11	1.06	1.07
YSAN028EA	1.08	1.02	1.08	1.08	1.10	1.10	1.05	1.03	1.06	1.13
YSAN028FA	1.04	1.08	1.10	1.10	1.10	1.10	1.10	1.09	1.07	1.04
YSAN028GA	1.05	1.09	1.08	1.08	1.06	1.06	1.03	1.04	1.07	1.13
YSAN028HA	1.06	1.08	1.03	1.03	1.02	1.02	1.09	1.10	1.13	1.11
YSAN028IA	1.07	1.04	1.04	1.05	1.07	1.08	1.11	1.11	1.06	1.07
YSAN028JA	1.08	1.02	1.08	1.08	1.10	1.10	1.05	1.03	1.06	1.13
Frequency (MHz)	900	960	1440	1710	1740	1880	1950	2140	2350	2450
YSAN028AA	1.04	1.04	1.21	1.15	1.14	1.05	1.03	1.15	1.28	1.31
YSAN028BA	1.15	1.16	1.13	1.23	1.22	1.12	1.06	1.15	1.30	1.29
YSAN028CA	1.08	1.05	1.08	1.24	1.26	1.20	1.12	1.19	1.30	1.18
YSAN028DA	1.13	1.16	1.18	1.15	1.18	1.20	1.13	1.17	1.17	1.01
YSAN028EA	1.10	1.05	1.15	1.04	1.09	1.23	1.17	1.18	1.09	1.13
YSAN028FA	1.04	1.04	1.21	1.15	1.14	1.05	1.03	1.15	1.28	1.31
YSAN028GA	1.15	1.16	1.13	1.23	1.22	1.12	1.06	1.15	1.30	1.29
YSAN028HA	1.08	1.05	1.08	1.24	1.26	1.20	1.12	1.19	1.30	1.18
YSAN028IA	1.13	1.16	1.18	1.15	1.18	1.20	1.13	1.17	1.17	1.01
YSAN028JA	1.10	1.05	1.15	1.04	1.09	1.23	1.17	1.18	1.09	1.13
Frequency (MHz)	2600	3600	4700	5000	5500	6000				
YSAN028AA	1.30	1.42	1.48	1.27	1.58	1.27				

YSAN028BA	1.16	1.38	1.34	1.68	1.41	1.36				
YSAN028CA	1.11	1.09	1.32	1.40	1.48	1.54				
YSAN028DA	1.24	1.30	1.62	1.43	1.58	1.38				
YSAN028EA	1.28	1.37	1.49	1.58	1.26	1.42				
YSAN028FA	1.30	1.42	1.48	1.27	1.58	1.27				
YSAN028GA	1.16	1.38	1.34	1.68	1.41	1.36				
YSAN028HA	1.11	1.09	1.32	1.40	1.48	1.54				
YSAN028IA	1.24	1.30	1.62	1.43	1.58	1.38				
YSAN028JA	1.28	1.37	1.49	1.58	1.26	1.42				

3.2.2. VSWR-S22



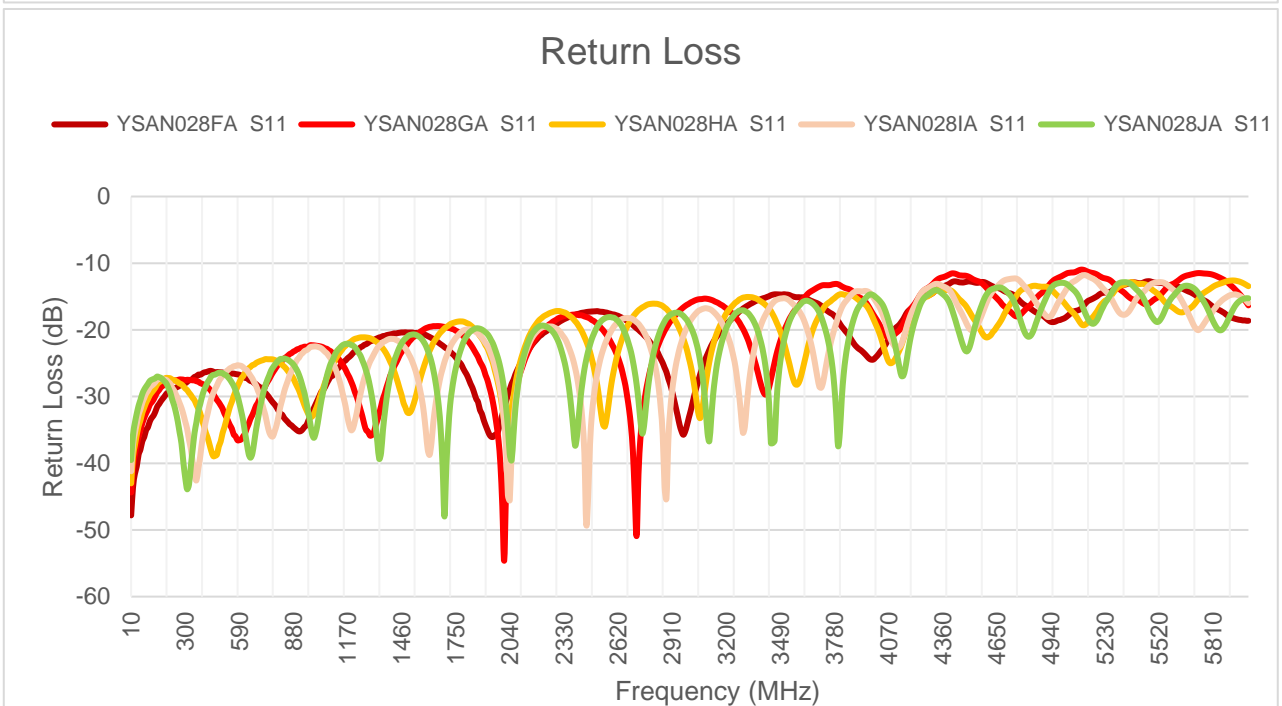
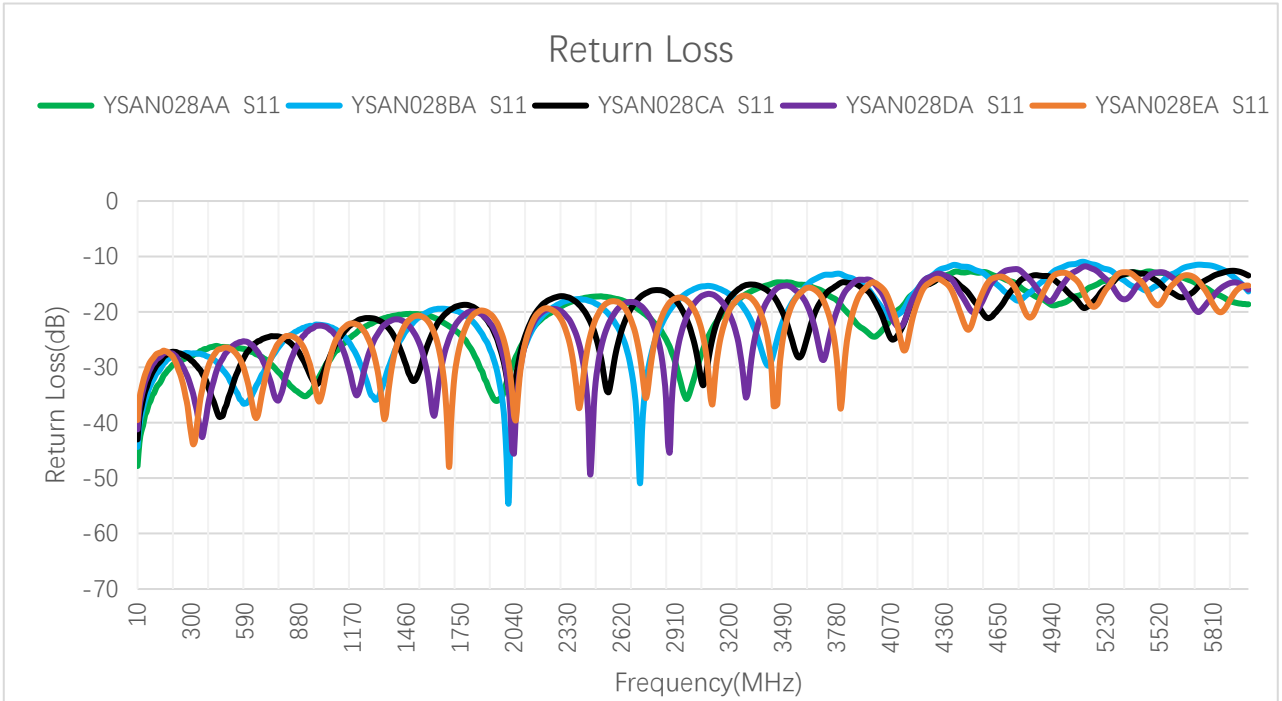
VSWR-S22

Frequency (MHz)	100	300	410	420	460	470	600	630	710	830
YSAN028AA	1.04	1.06	1.06	1.07	1.07	1.07	1.08	1.09	1.09	1.08
YSAN028BA	1.05	1.07	1.06	1.07	1.07	1.07	1.06	1.06	1.07	1.11
YSAN028CA	1.05	1.05	1.04	1.04	1.04	1.04	1.07	1.08	1.11	1.12
YSAN028DA	1.06	1.03	1.05	1.05	1.06	1.07	1.09	1.10	1.08	1.07
YSAN028EA	1.07	1.03	1.06	1.06	1.07	1.07	1.07	1.06	1.06	1.12
YSAN028FA	1.04	1.06	1.06	1.07	1.07	1.07	1.08	1.09	1.09	1.08
YSAN028GA	1.05	1.07	1.06	1.07	1.07	1.07	1.06	1.06	1.07	1.11
YSAN028HA	1.05	1.05	1.04	1.04	1.04	1.04	1.07	1.08	1.11	1.12
YSAN028IA	1.06	1.03	1.05	1.05	1.06	1.07	1.09	1.10	1.08	1.07
YSAN028JA	1.07	1.03	1.06	1.06	1.07	1.07	1.07	1.06	1.06	1.12
Frequency (MHz)	900	960	1440	1710	1740	1880	1950	2140	2350	2450
YSAN028AA	1.07	1.06	1.21	1.19	1.17	1.10	1.08	1.15	1.27	1.31
YSAN028BA	1.14	1.16	1.13	1.27	1.26	1.16	1.10	1.17	1.30	1.28
YSAN028CA	1.11	1.09	1.13	1.25	1.27	1.24	1.17	1.20	1.32	1.21
YSAN028DA	1.11	1.14	1.20	1.15	1.19	1.23	1.16	1.17	1.17	1.06
YSAN028EA	1.12	1.10	1.14	1.07	1.10	1.25	1.20	1.18	1.11	1.14
YSAN028FA	1.07	1.06	1.21	1.19	1.17	1.10	1.08	1.15	1.27	1.31
YSAN028GA	1.14	1.16	1.13	1.27	1.26	1.16	1.10	1.17	1.30	1.28
YSAN028HA	1.11	1.09	1.13	1.25	1.27	1.24	1.17	1.20	1.32	1.21
YSAN028IA	1.11	1.14	1.20	1.15	1.19	1.23	1.16	1.17	1.17	1.06
YSAN028JA	1.12	1.10	1.14	1.07	1.10	1.25	1.20	1.18	1.11	1.14
Frequency (MHz)	2600	3600	4700	5000	5500	6000				
YSAN028AA	1.29	1.38	1.53	1.35	1.74	1.56				

YSAN028BA	1.13	1.26	1.45	1.65	1.62	2.05				
YSAN028CA	1.14	1.16	1.35	1.54	1.63	1.74				
YSAN028DA	1.23	1.28	1.58	1.51	1.83	2.06				
YSAN028EA	1.27	1.30	1.56	1.68	1.66	2.01				
YSAN028FA	1.29	1.38	1.53	1.35	1.74	1.56				
YSAN028GA	1.13	1.26	1.45	1.65	1.62	2.05				
YSAN028HA	1.14	1.16	1.35	1.54	1.63	1.74				
YSAN028IA	1.23	1.28	1.58	1.51	1.83	2.06				
YSAN028JA	1.27	1.30	1.56	1.68	1.66	2.01				

3.3. Return Loss

3.3.1. Return Loss-S11

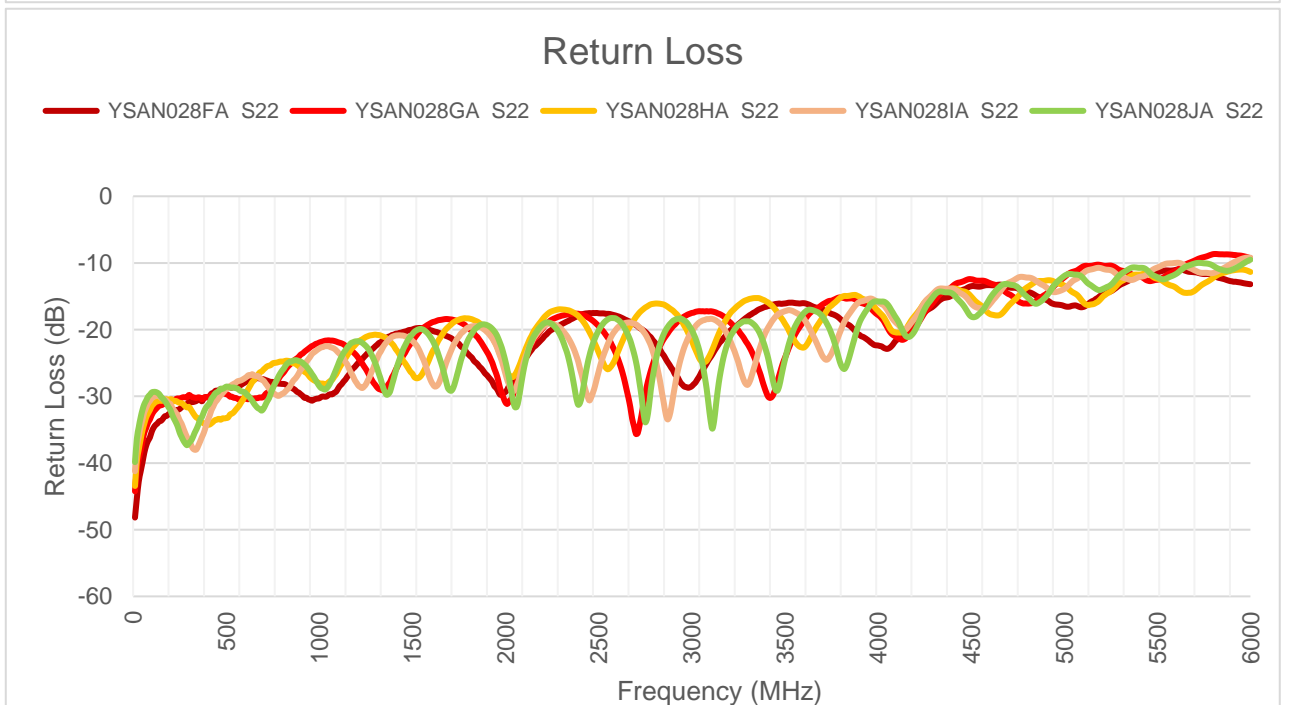
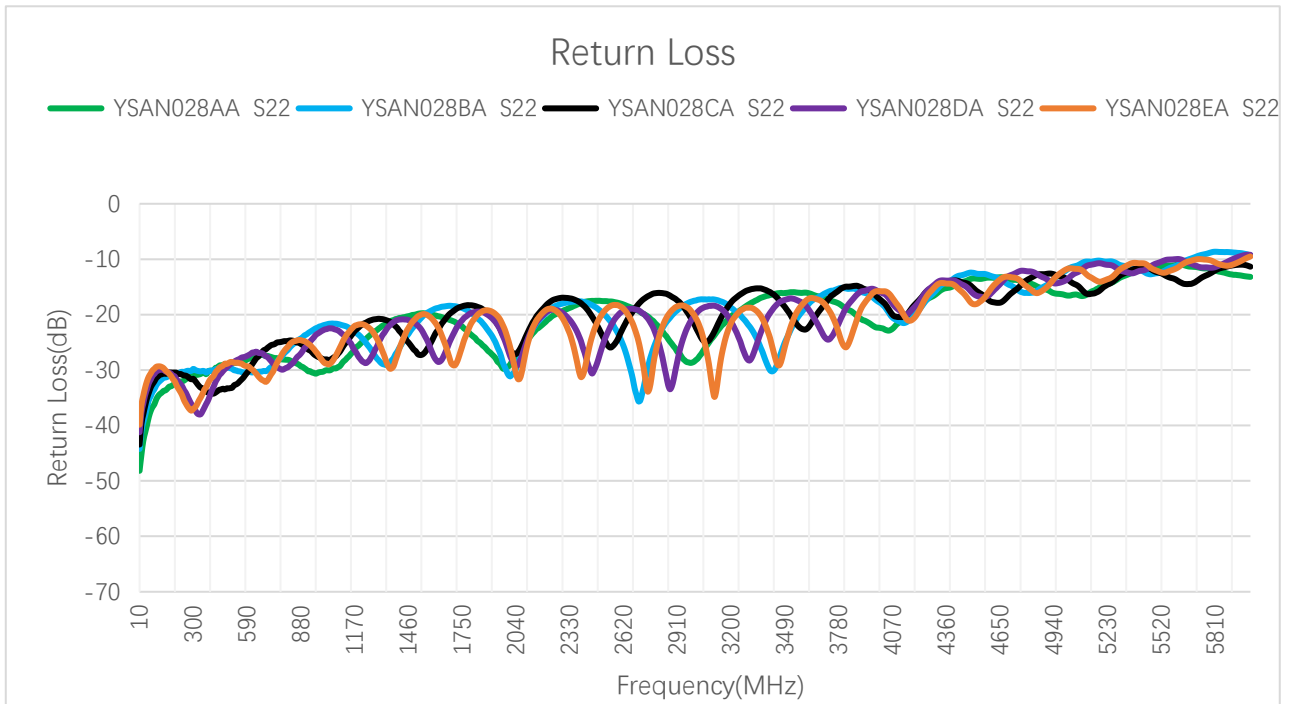


Return Loss (dB)-S11

Frequency (MHz)	100	300	410	420	460	470	600	630	710	830
YSAN028AA	-34.59	-28.01	-26.34	-26.26	-26.34	-26.33	-26.84	-27.23	-28.85	-33.20
YSAN028BA	-31.95	-27.56	-28.41	-28.58	-30.07	-30.50	-36.42	-34.77	-29.65	-24.30
YSAN028CA	-30.39	-28.78	-35.40	-36.14	-38.89	-38.69	-27.29	-26.05	-24.59	-25.50
YSAN028DA	-29.14	-33.75	-33.73	-32.57	-28.88	-28.35	-25.40	-26.03	-30.84	-29.30
YSAN028EA	-28.11	-42.17	-28.47	-27.87	-26.70	-26.56	-32.20	-36.98	-30.46	-24.28
YSAN028FA	-34.59	-28.01	-26.34	-26.26	-26.34	-26.33	-26.84	-27.23	-28.85	-33.20
YSAN028GA	-31.95	-27.56	-28.41	-28.58	-30.07	-30.50	-36.42	-34.77	-29.65	-24.30
YSAN028HA	-30.39	-28.78	-35.40	-36.14	-38.89	-38.69	-27.29	-26.05	-24.59	-25.50
YSAN028IA	-29.14	-33.75	-33.73	-32.57	-28.88	-28.35	-25.40	-26.03	-30.84	-29.30
YSAN028JA	-28.11	-42.17	-28.47	-27.87	-26.70	-26.56	-32.20	-36.98	-30.46	-24.28
Frequency (MHz)	900	960	1440	1710	1740	1880	1950	2140	2350	2450
YSAN028AA	-35.07	-33.61	-20.47	-22.98	-23.79	-32.01	-36.05	-23.02	-18.16	-17.33
YSAN028BA	-22.92	-22.48	-24.40	-19.68	-19.93	-24.77	-30.92	-23.18	-17.80	-18.07
YSAN028CA	-28.49	-32.59	-27.91	-19.38	-18.93	-20.92	-24.99	-21.15	-17.66	-21.69
YSAN028DA	-24.47	-22.86	-21.64	-23.32	-21.62	-20.87	-24.42	-22.33	-22.15	-49.16
YSAN028EA	-26.11	-32.39	-23.19	-35.12	-27.26	-19.83	-22.07	-21.75	-27.29	-24.47
YSAN028FA	-35.07	-33.61	-20.47	-22.98	-23.79	-32.01	-36.05	-23.02	-18.16	-17.33
YSAN028GA	-22.92	-22.48	-24.40	-19.68	-19.93	-24.77	-30.92	-23.18	-17.80	-18.07
YSAN028HA	-28.49	-32.59	-27.91	-19.38	-18.93	-20.92	-24.99	-21.15	-17.66	-21.69
YSAN028IA	-24.47	-22.86	-21.64	-23.32	-21.62	-20.87	-24.42	-22.33	-22.15	-49.16
YSAN028JA	-26.11	-32.39	-23.19	-35.12	-27.26	-19.83	-22.07	-21.75	-27.29	-24.47
Frequency (MHz)	2600	3600	4700	5000	5500	6000				
YSAN028AA	-17.70	-15.13	-14.31	-18.40	-12.92	-18.63				

YSAN028BA	-22.81	-15.96	-16.68	-11.92	-15.35	-16.32				
YSAN028CA	-25.80	-27.06	-17.20	-15.54	-14.29	-13.45				
YSAN028DA	-19.43	-17.59	-12.48	-14.99	-12.93	-16.00				
YSAN028EA	-18.20	-16.12	-14.15	-12.94	-18.65	-15.27				
YSAN028FA	-17.70	-15.13	-14.31	-18.40	-12.92	-18.63				
YSAN028GA	-22.81	-15.96	-16.68	-11.92	-15.35	-16.32				
YSAN028HA	-25.80	-27.06	-17.20	-15.54	-14.29	-13.45				
YSAN028IA	-19.43	-17.59	-12.48	-14.99	-12.93	-16.00				
YSAN028JA	-18.20	-16.12	-14.15	-12.94	-18.65	-15.27				

3.3.2. Return Loss-S22


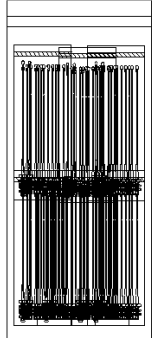
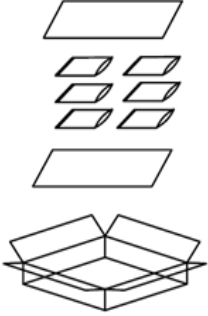


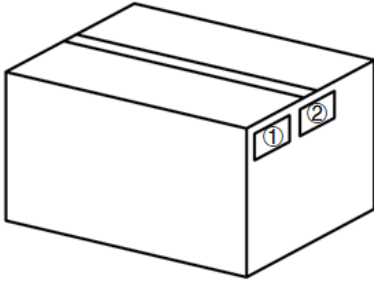
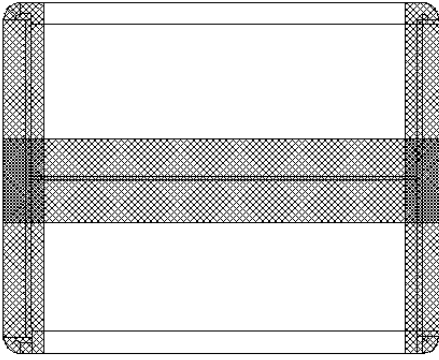
Return Loss (dB)-S22

Frequency (MHz)	100	300	410	420	460	470	600	630	710	830
YSAN028AA	-35.29	-30.82	-30.07	-29.59	-29.16	-28.89	-27.94	-27.54	-27.55	-28.43
YSAN028BA	-32.79	-29.79	-30.09	-29.82	-29.47	-29.43	-30.30	-30.24	-29.70	-25.58
YSAN028CA	-31.47	-31.58	-34.24	-34.05	-33.37	-33.51	-30.00	-28.33	-25.74	-24.67
YSAN028DA	-30.29	-36.65	-32.96	-32.12	-30.20	-29.83	-27.27	-26.86	-28.03	-28.92
YSAN028EA	-29.42	-36.97	-31.02	-30.38	-29.22	-28.86	-29.40	-30.33	-31.31	-25.04
YSAN028FA	-35.29	-30.82	-30.07	-29.59	-29.16	-28.89	-27.94	-27.54	-27.55	-28.43
YSAN028GA	-32.79	-29.79	-30.09	-29.82	-29.47	-29.43	-30.30	-30.24	-29.70	-25.58
YSAN028HA	-31.47	-31.58	-34.24	-34.05	-33.37	-33.51	-30.00	-28.33	-25.74	-24.67
YSAN028IA	-30.29	-36.65	-32.96	-32.12	-30.20	-29.83	-27.27	-26.86	-28.03	-28.92
YSAN028JA	-29.42	-36.97	-31.02	-30.38	-29.22	-28.86	-29.40	-30.33	-31.31	-25.04
Frequency (MHz)	900	960	1440	1710	1740	1880	1950	2140	2350	2450
YSAN028AA	-29.70	-30.66	-20.45	-21.31	-21.93	-26.17	-28.75	-23.04	-18.47	-17.52
YSAN028BA	-23.74	-22.47	-24.44	-18.48	-18.69	-22.41	-26.62	-22.11	-17.65	-18.29
YSAN028CA	-25.76	-27.38	-24.14	-19.17	-18.62	-19.52	-22.26	-20.92	-17.23	-20.33
YSAN028DA	-26.00	-23.67	-20.88	-22.99	-21.36	-19.89	-22.40	-21.90	-21.92	-30.63
YSAN028EA	-24.80	-26.66	-23.73	-29.14	-26.75	-19.20	-20.67	-21.71	-25.74	-23.95
YSAN028FA	-29.70	-30.66	-20.45	-21.31	-21.93	-26.17	-28.75	-23.04	-18.47	-17.52
YSAN028GA	-23.74	-22.47	-24.44	-18.48	-18.69	-22.41	-26.62	-22.11	-17.65	-18.29
YSAN028HA	-25.76	-27.38	-24.14	-19.17	-18.62	-19.52	-22.26	-20.92	-17.23	-20.33
YSAN028IA	-26.00	-23.67	-20.88	-22.99	-21.36	-19.89	-22.40	-21.90	-21.92	-30.63
YSAN028JA	-24.80	-26.66	-23.73	-29.14	-26.75	-19.20	-20.67	-21.71	-25.74	-23.95
Frequency (MHz)	2600	3600	4700	5000	5500	6000				
YSAN028AA	-17.97	-16.03	-13.63	-16.46	-11.35	-13.19				

YSAN028BA	-24.10	-18.75	-14.65	-12.17	-12.52	-9.29				
YSAN028CA	-23.57	-22.70	-16.46	-13.39	-12.36	-11.35				
YSAN028DA	-19.74	-18.29	-12.98	-13.90	-10.69	-9.21				
YSAN028EA	-18.48	-17.58	-13.19	-11.95	-12.14	-9.51				
YSAN028FA	-17.97	-16.03	-13.63	-16.46	-11.35	-13.19				
YSAN028GA	-24.10	-18.75	-14.65	-12.17	-12.52	-9.29				
YSAN028HA	-23.57	-22.70	-16.46	-13.39	-12.36	-11.35				
YSAN028IA	-19.74	-18.29	-12.98	-13.90	-10.69	-9.21				
YSAN028JA	-18.48	-17.58	-13.19	-11.95	-12.14	-9.51				

4 Packaging

Step	Packaging Picture / 2D Picture	Description
1	 <p>25PCS/BAG(Including accessories)</p>	<p>25 products and accessories are put into small PE bags.</p>
2		<p>20 small PE bag in a big PE bag. 500 pcs products in a big PE bag.</p>
3	 <p>6 bag/caton</p>	<p>Place a clapboard at the bottom and top; (6 Big PE Bags / Carton Box) (3000 PCS Antennas / Carton Box)</p> <p><u>Carton Size:</u> <u>L × W × H = 300 × 260 × 230 mm</u></p>

4	 A 3D perspective drawing of a rectangular carton. On the front face, there are two small rectangular labels. The left label is marked with a circled '1' and the right label is marked with a circled '2'.	<p>Position for Attaching Labels</p> <ul style="list-style-type: none">① Carton label② Quality label
5	 A 3D perspective drawing of a rectangular carton with a mesh-like texture. Two horizontal bands of the same mesh texture are wrapped around the middle of the carton, one above and one below the center, representing sealing cartons.	<p>Sealing Cartons</p> <p>“工” type sealing cartons</p>

Contact Us

At Quectel, our aim is to provide timely and comprehensive services to our customers. If you require any assistance, please contact our headquarters:

Quectel Wireless Solutions Co., Ltd.

Building 5, Shanghai Business Park Phase III (Area B), No.1016 Tianlin Road, Minhang District, Shanghai 200233, China

Tel: +86 21 5108 6236

Email: info@quectel.com

Or our local offices. For more information, please visit:

<http://www.quectel.com/support/sales.htm>.

For technical support, or to report documentation errors, please visit:

<http://www.quectel.com/support/technical.htm>.

Or email us at: support@quectel.com.

Legal Notices

We offer information as a service to you. The provided information is based on your requirements and we make every effort to ensure its quality. You agree that you are responsible for using independent analysis and evaluation in designing intended products, and we provide reference designs for illustrative purposes only. Before using any hardware, software or service guided by this document, please read this notice carefully. Even though we employ commercially reasonable efforts to provide the best possible experience, you hereby acknowledge and agree that this document and related services hereunder are provided to you on an “as available” basis. We may revise or restate this document from time to time at our sole discretion without any prior notice to you.

Use and Disclosure Restrictions

License Agreements

Documents and information provided by us shall be kept confidential, unless specific permission is granted. They shall not be accessed or used for any purpose except as expressly provided herein.

Copyright

Our and third-party products hereunder may contain copyrighted material. Such copyrighted material shall not be copied, reproduced, distributed, merged, published, translated, or modified without prior written consent. We and the third party have exclusive rights over copyrighted material. No license shall be granted or conveyed under any patents, copyrights, trademarks, or service mark rights. To avoid ambiguities, purchasing in any form cannot be deemed as granting a license other than the normal non-exclusive, royalty-free license to use the material. We reserve the right to take legal action for noncompliance with abovementioned requirements, unauthorized use, or other illegal or malicious use of the material.

Trademarks

Except as otherwise set forth herein, nothing in this document shall be construed as conferring any rights to use any trademark, trade name or name, abbreviation, or counterfeit product thereof owned by Quectel or any third party in advertising, publicity, or other aspects.

Third-Party Rights

This document may refer to hardware, software and/or documentation owned by one or more third parties (“third-party materials”). Use of such third-party materials shall be governed by all restrictions and obligations applicable thereto.

We make no warranty or representation, either express or implied, regarding the third-party materials, including but not limited to any implied or statutory, warranties of merchantability or fitness for a particular purpose, quiet enjoyment, system integration, information accuracy, and non-infringement of any third-party intellectual property rights with regard to the licensed technology or use thereof. Nothing herein constitutes a representation or warranty by us to either develop, enhance, modify, distribute, market, sell, offer for sale, or otherwise maintain production of any our products or any other hardware, software, device, tool, information, or product. We moreover disclaim any and all warranties arising from the course of dealing or usage of trade.

Privacy Policy

To implement module functionality, certain device data are uploaded to Quectel's or third-party's servers, including carriers, chipset suppliers or customer-designated servers. Quectel, strictly abiding by the relevant laws and regulations, shall retain, use, disclose or otherwise process relevant data for the purpose of performing the service only or as permitted by applicable laws. Before data interaction with third parties, please be informed of their privacy and data security policy.

Disclaimer

- a) We acknowledge no liability for any injury or damage arising from the reliance upon the information.
- b) We shall bear no liability resulting from any inaccuracies or omissions, or from the use of the information contained herein.
- c) While we have made every effort to ensure that the functions and features under development are free from errors, it is possible that they could contain errors, inaccuracies, and omissions. Unless otherwise provided by valid agreement, we make no warranties of any kind, either implied or express, and exclude all liability for any loss or damage suffered in connection with the use of features and functions under development, to the maximum extent permitted by law, regardless of whether such loss or damage may have been foreseeable.
- d) We are not responsible for the accessibility, safety, accuracy, availability, legality, or completeness of information, advertising, commercial offers, products, services, and materials on third-party websites and third-party resources.

Copyright © Quectel Wireless Solutions Co., Ltd. 2023. All rights reserved.

Revision History

Version	Date	Author	Note
-	2022-08-08	Sly LIU	Creation of the document
1.0	2022-08-08	Sly LIU	First official release
2.0	2023-06-09	Damon ZHANG/ Lucky FENG/ David LIU/ Aria CHU	Updated all data and datasheet templates.
2.1	2023-12-02	Lucky FENG/ Damon ZHANG	<ol style="list-style-type: none">1. Numerous changes were made to this document. It should be read in its entirety.2. Updated the drawing (Chapter 2).

QUECTEL

www.quectel.com