

Antenna Accessory Datasheet

Product OC: YBY00A0IA

Version: 2.1

Date: 2025-06-12

Status: Released

Product Name: Accessory - Bracket

Key Features:

Dimensions: 80 mm × 60 mm × 86 mm

Overview

This antenna accessory is used to aid antenna design to achieve superior antenna performance.

We offer comprehensive antenna design support such as simulation, testing and manufacturing of customized antenna solutions to meet your specific application requirements.

Contents

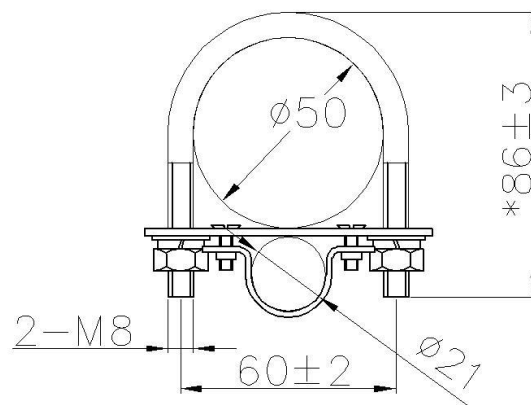
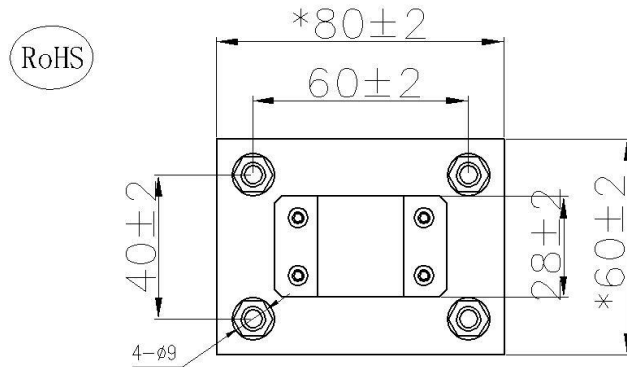
Overview.....	1
Contents	2
1 Specification.....	3
1.1. Mechanical & Environmental	3
2 Drawing	4
3 Installation	5
4 packaging	6
Contact Us.....	8
Legal Notices	9
Revision History	11

1 Specification

1.1. Mechanical & Environmental

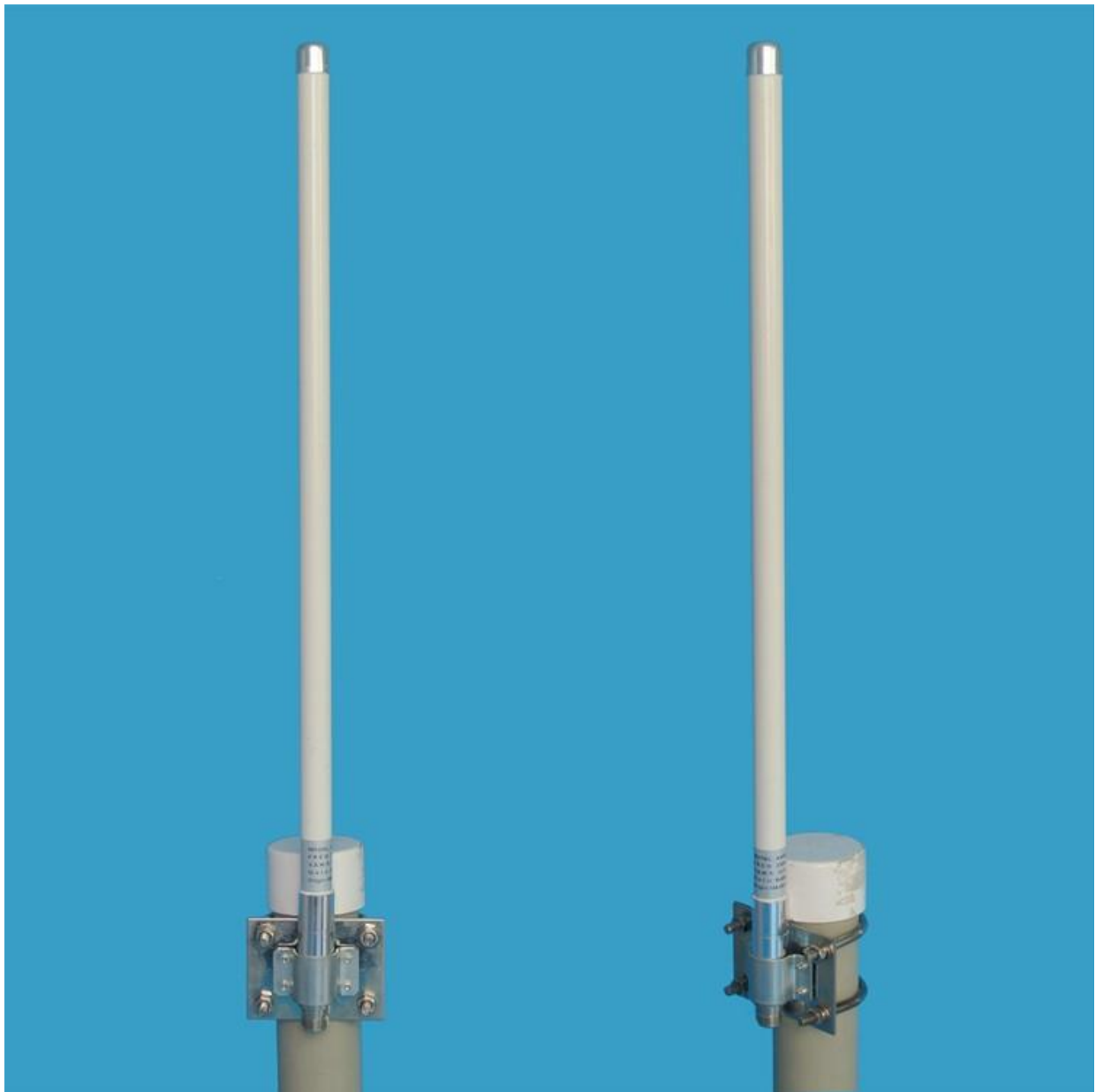
Mechanical	
Dimensions	80 mm × 60 mm × 86 mm
Material & Color	A3 steel + Dacromet & Silver
Weight	Typ. 300 g
Environmental	
Operation Temperature	-20 °C to +85 °C
Storage Temperature	-20 °C to +85 °C

2 Drawing




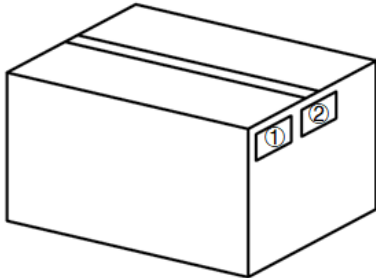


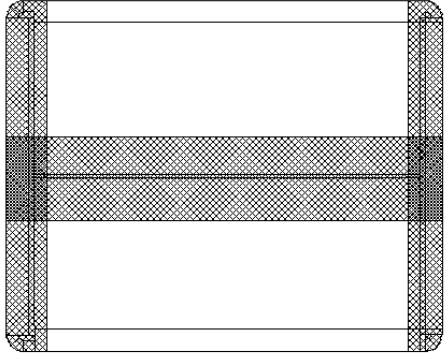
Unit:mm

3 Installation



4 packaging

Step	Packaging Picture / 2D Picture	Description
1		<p>An inner box contains a product. (1 PC / Inner Box)</p>
2		<p>Inner box diagram</p>
3		<p>(26 Inner Boxes / Carton Box) (26 PCS Antennas / Carton Box)</p> <p><u>Carton Size:</u> <u>L × W × H = 450 × 240 × 290 mm</u></p>
4		<p>Position for Attaching Labels</p> <ul style="list-style-type: none"> ① Carton Label ② Quality Label

5	 A technical drawing of an H-shaped sealing carton. It consists of two vertical rectangular sections connected by two horizontal rectangular sections, forming an 'H' shape. The entire structure is filled with a fine cross-hatch pattern, indicating a mesh or perforated material. The corners of the vertical sections are rounded.	<p>Sealing Cartons H-shaped sealing cartons</p>
---	---	--

Contact Us

At Quectel, our aim is to provide timely and comprehensive services to our customers. If you require any assistance, please contact our headquarters:

Quectel Wireless Solutions Co., Ltd.

Building 5, Shanghai Business Park Phase III (Area B), No.1016 Tianlin Road, Minhang District, Shanghai 200233, China

Tel: +86 21 5108 6236

Email: info@quectel.com

Or our local offices. For more information, please visit:

<http://www.quectel.com/support/sales.htm>.

For technical support, or to report documentation errors, please visit:

<http://www.quectel.com/support/technical.htm>.

Or email us at: support@quectel.com.

Legal Notices

We offer information as a service to you. The provided information is based on your requirements and we make every effort to ensure its quality. You agree that you are responsible for using independent analysis and evaluation in designing intended products, and we provide reference designs for illustrative purposes only. Before using any hardware, software or service guided by this document, please read this notice carefully. Even though we employ commercially reasonable efforts to provide the best possible experience, you hereby acknowledge and agree that this document and related services hereunder are provided to you on an “as available” basis. We may revise or restate this document from time to time at our sole discretion without any prior notice to you.

Use and Disclosure Restrictions

License Agreements

Documents and information provided by us shall be kept confidential, unless specific permission is granted. They shall not be accessed or used for any purpose except as expressly provided herein.

Copyright

Our and third-party products hereunder may contain copyrighted material. Such copyrighted material shall not be copied, reproduced, distributed, merged, published, translated, or modified without prior written consent. We and the third party have exclusive rights over copyrighted material. No license shall be granted or conveyed under any patents, copyrights, trademarks, or service mark rights. To avoid ambiguities, purchasing in any form cannot be deemed as granting a license other than the normal non-exclusive, royalty-free license to use the material. We reserve the right to take legal action for noncompliance with abovementioned requirements, unauthorized use, or other illegal or malicious use of the material.

Trademarks

Except as otherwise set forth herein, nothing in this document shall be construed as conferring any rights to use any trademark, trade name or name, abbreviation, or counterfeit product thereof owned by Quectel or any third party in advertising, publicity, or other aspects.

Third-Party Rights

This document may refer to hardware, software and/or documentation owned by one or more third parties (“third-party materials”). Use of such third-party materials shall be governed by all restrictions and obligations applicable thereto.

We make no warranty or representation, either express or implied, regarding the third-party materials, including but not limited to any implied or statutory, warranties of merchantability or fitness for a particular purpose, quiet enjoyment, system integration, information accuracy, and non-infringement of any third-party intellectual property rights with regard to the licensed technology or use thereof. Nothing herein constitutes a representation or warranty by us to either develop, enhance, modify, distribute, market, sell, offer for sale, or otherwise maintain production of any our products or any other hardware, software, device, tool, information, or product. We moreover disclaim any and all warranties arising from the course of dealing or usage of trade.

Privacy Policy

To implement module functionality, certain device data are uploaded to Quectel's or third-party's servers, including carriers, chipset suppliers or customer-designated servers. Quectel, strictly abiding by the relevant laws and regulations, shall retain, use, disclose or otherwise process relevant data for the purpose of performing the service only or as permitted by applicable laws. Before data interaction with third parties, please be informed of their privacy and data security policy.

Disclaimer

- a) We acknowledge no liability for any injury or damage arising from the reliance upon the information.
- b) We shall bear no liability resulting from any inaccuracies or omissions, or from the use of the information contained herein.
- c) While we have made every effort to ensure that the functions and features under development are free from errors, it is possible that they could contain errors, inaccuracies, and omissions. Unless otherwise provided by valid agreement, we make no warranties of any kind, either implied or express, and exclude all liability for any loss or damage suffered in connection with the use of features and functions under development, to the maximum extent permitted by law, regardless of whether such loss or damage may have been foreseeable.
- d) We are not responsible for the accessibility, safety, accuracy, availability, legality, or completeness of information, advertising, commercial offers, products, services, and materials on third-party websites and third-party resources.

Copyright © Quectel Wireless Solutions Co., Ltd. 2025. All rights reserved.

Revision History

Version	Date	Author	Note
-	2021-09-02	Mary Li Jason Long	Creation of the document
1.0	2021-09-02	Mary Li Jason Long	First official release
1.1	2021-12-03	Mary Li Jason Long	Updated the product description in Chapter 1.
1.2	2022-10-17	Jason Long	Update the drawing of Page6
2.0	2023-05-06	Bunny Zhang Luck Feng David Liu	Updated the template and all data.
2.1	2025-06-12	Aria CHU	<ol style="list-style-type: none">1. Updated the antenna image (Cover page).2. Deleted storage information and added storage temperature (Chapter 1.1).

QUECTEL

www.quectel.com